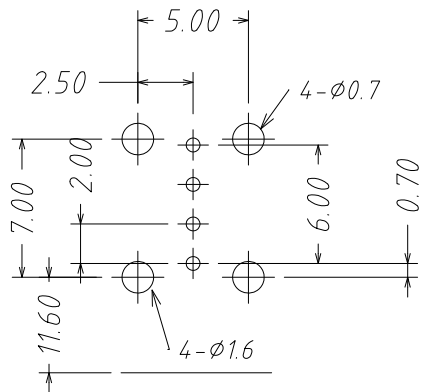
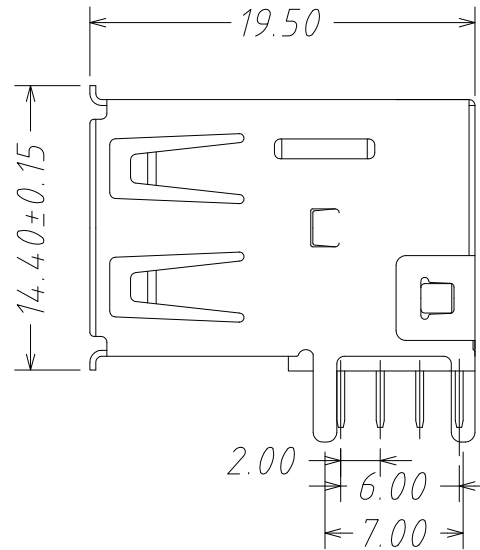
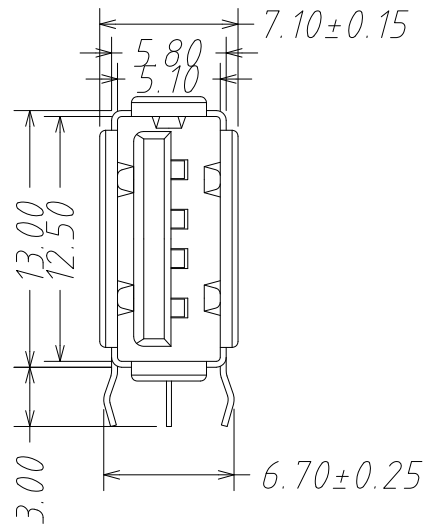


RoHS



| Selective Gold Type | | |
|---------------------|--------------|------------|
| CODE | Contact Area | Other Area |
| E1 | Gold Flash | Tin plated |
| E2 | Gold 3u" | Tin plated |
| E3 | Gold 10u" | Tin plated |
| E4 | Gold 15u" | Tin plated |
| E5 | Gold 30u" | Tin plated |

SPECIFICATIONS:
ELECTRICAL SPECIFICATION

Contact Current Rating: 1.5 Amperes
 Dielectric Withstanding Voltage: AC 500/60ses.r.m.s.
 Insulation Resistance: 1000 Megohm Min. at DC 500V
 Contact Resistance: 30 milliohm Max.
 Operating Tempetature: -25°c __ +105°c

MATERIALS:

Contacts: Brass or Phosphor bronze
 Contacts Plating: See number description
 Insulator: PBT+ G.f
 Shell: Steel or Brass

PART NO: ZUS R 2 4 F E 1 F 05 N 1
1 2 3 4 5 6 7 8 9 10

| | |
|----------------------------------|--------------------|
| 1, USB type | 8, Series number : |
| 2, Performance: | 05 |
| R=Right Angle DIP type | 9, Shell Plating: |
| 3, Sort: | N=Plating nickel |
| 0= USB B TYPE 2 = USB A TYPE 2.0 | T=Plating Tin |
| 3= USB A TYPE 3.0 | 10, Color : |
| 4, Contact No. : | 1=White |
| 4=4PIN 9=9PIN | 2=Blue |
| 5, Contact Type: | 3=Black |
| F=Female type,Brass | |
| S=Female type,Phosphor bronze | |
| M=Male type,Brass | |
| P=Male type,Phosphor bronze | |
| 6, Contact plating : | |
| See table1 | |
| 7, Shell material : | |
| F: SPCC | |
| C: BRASS | |

unless otherwise specified tolerance:

. X ± . 38, ANG ± 2°
 . XX ± . 25,
 . XXX ± . 15,

| | | | | | |
|--|---------|------|------------|----------|---|
| DSND | HUANGJM | DATE | 2011-12-01 | SCALE: | NAME: |
| CHKD | | | | VIEW: | USB A TYPE Female Right Angle DIP Type-05 |
| APVD | | | | UNIT: mm | Part No: |
| Dongguan Fushu Electronic Technology Co.,Ltd Tel:0755-81765247/41 Fax:0769-81765203 | | | | | ZUS Rxx F(S) x x x x x x x |
| | | | | | Customer Part NO:(DWG NO.) |

| MARK | DESCRIPTION | DATE | REVISED | APPROVED |
|-----------|-------------|------|---------|----------|
| REVISIONS | | | | |