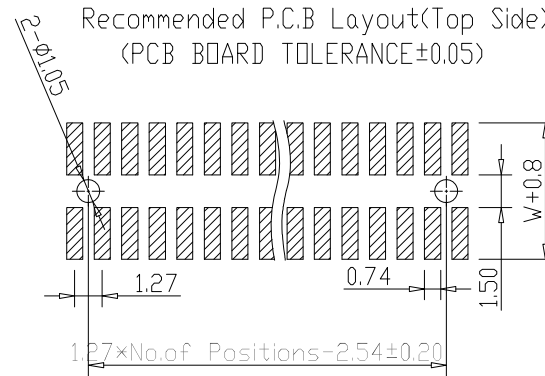
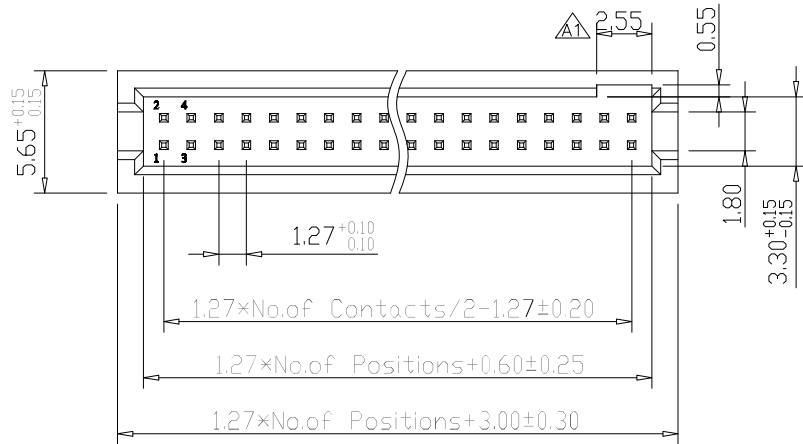


RoHS

# 1.27mm Box Header SMT H=5.70 Add Housing



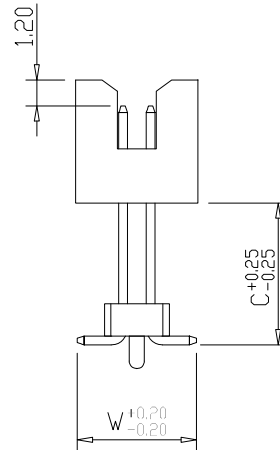
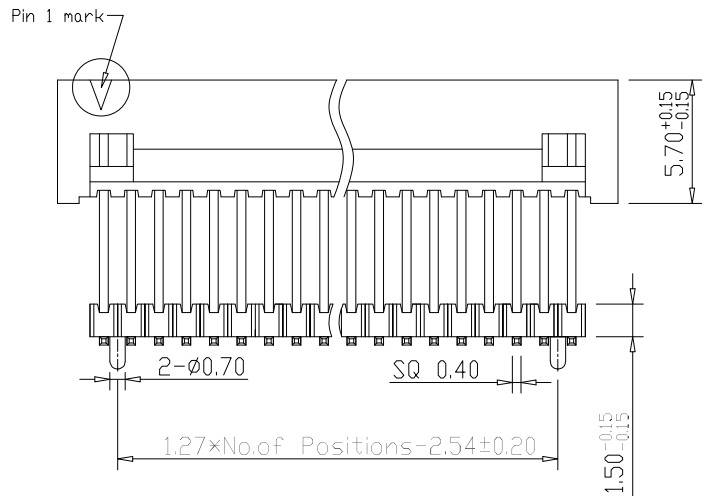
## SPECIFICATION

Current Rating: 1Amp  
 Insulation Resistance: 1000MΩ Min.  
 Contact Resistance: 20mΩ Max.  
 Withstand Voltage: 500V AC/DC  
 Operating Temperature: -40°C to +105°C  
 Contact Material: Brass  
 Contact Plating: Au or Sn Over Ni  
 Insulator Material: PA6T+30%GF UL 94V-0

## Ordering Code:

BHAM03- X - X - X - X - X  
 ① ② ③ ④ ⑤ ⑥

- ① Series No:  
 06 08 10 14 16  
 20 24 26 30 32  
 34 40 44 50 60  
 64 80 100
- ② No. of Contacts
- ③ Contact Plating  
 G0: Gold flash  
 G1: 3u" Gold  
 G2: 5u" Gold  
 G3: 10u" Gold  
 G4: 15u" Gold  
 G5: 30u" Gold
- ④ Color Insulator  
 B: Black  
 U: Blue  
 W: white
- ⑤ Insulator Material  
 A: PA6T  
 B: LCP
- ⑥ Packing  
 A: Tray  
 T: Tube  
 U: Tube+CAP  
 R: Tape&Reel  
 W: Tape&Reel+CAP



MARK	DESCRIPTION	DATE	REVISED	APPROVED
REVISIONS				

unless otherwise specified tolerance:  
 . X ± .38,  
 . XX ± .25,  
 . XXX ± .15,  
 ANG ± 2°

DSND	HUANG.J.M	DATE	2011-12-01	SCALE:	
CHKD				VIEW:	
APVD				UNIT:	mm

**Dongguan Fushu Electronic Technology Co., Ltd**  
 Tel: 0755-81765247/41 Fax: 0769-81765203

NAME: 1.27mm Box Header SMT H=5.70 Add Housing  
 Part No: BHAM03-xxxxxx  
 Customer Part NO:(DWG NO.)