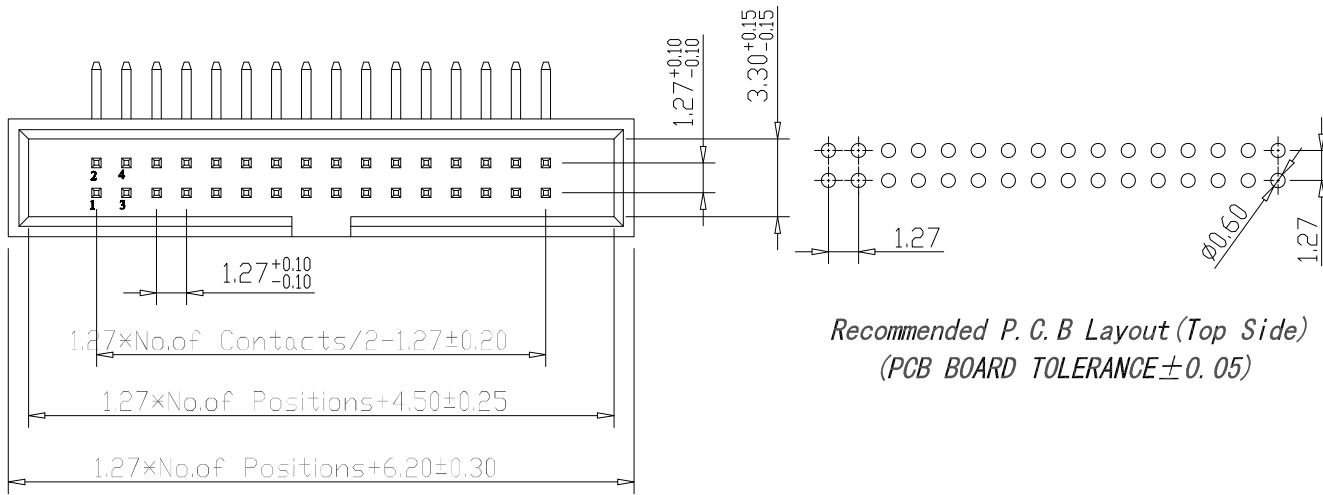


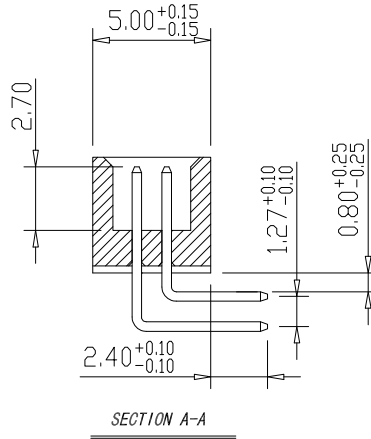
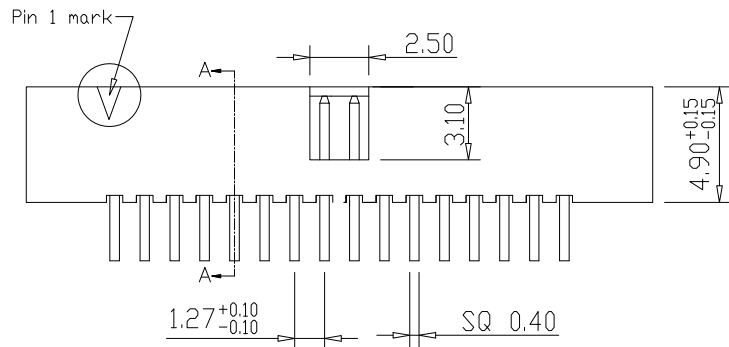
RoHS

1.27mm Box Header 90° H=4.90



Recommended P. C. B Layout (Top Side)
(PCB BOARD TOLERANCE ± 0.05)

$1.27 \times \text{No. of Contacts} / 2 - 1.27 \pm 0.20$
 $1.27 \times \text{No. of Positions} + 4.50 \pm 0.25$
 $1.27 \times \text{No. of Positions} + 6.20 \pm 0.30$



SPECIFICATION

Current Rating: 1Amp
 Insulation Resistance: 1000M Ω Min.
 Contact Resistance: 20m Ω Max.
 Withstand Voltage: 500V AC/DC
 Operating Temperature: -40°C to +105°C
 Contact Material: Brass
 Contact Plating: Au or Sn Over Ni
 Insulator Material: PA6T+30%GF UL 94V-0

Ordering Code:

BHAM01- X - X - X - X - X
 ① ② ③ ④ ⑤ ⑥

- ① Series No:
 - ② No. of Contacts
 - ③ Contact Plating
 - ④ Color Insulator
 - ⑤ Insulator Material
 - ⑥ Packing
- 06 08 10 14 16
 20 24 26 30 32
 34 40 44 50 60
 64 80 100
 G0: Gold flash
 G1: 3u" Gold
 G2: 5u" Gold
 G3: 10u" Gold
 G4: 15u" Gold
 G5: 30u" Gold
 B:Black
 U:Blue
 W:white
 A:PA6T
 B: LCP
 A: Tray
 T: Tube
 U:Tube+CAP
 R: Tape&Reel
 W:Tape&Reel+CAP

DSND	HUANG.J.M	DATE	2011-12-01	SCALE:		NAME:	1.27mm Box Header 90° H=4.90
CHKD				VIEW:		Part No:	BHAR02-xxxxxxx
APVD				UNIT:	mm	Customer Part NO:(DWG NO.)	

MARK	DESCRIPTION	DATE	REVISED	APPROVED
REVISIONS				

unless otherwise specified tolerance:
 . X \pm .38,
 . XX \pm .25,
 . XXX \pm .15,
 ANG $\pm 2^\circ$

Dongguan Fushu Electronic Technology Co., Ltd
 Tel:0755-81765247/41 Fax:0769-81765203