

RoHS

1.27mm Box Header 90° H=5.70

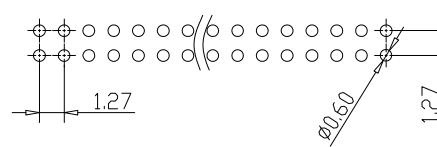
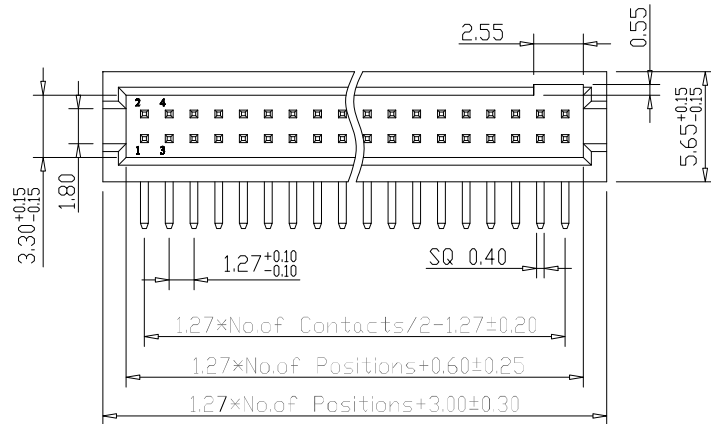
SPECIFICATION

Current Rating: 1Amp
 Insulation Resistance: 1000MΩ Min.
 Contact Resistance: 20mΩ Max.
 Withstand Voltage: 500V AC/DC
 Operating Temperature:-40°C to +105°C
 Contact Material: Brass
 Contact Plating: Au or Sn Over Ni
 Insulator Material: PA6T+30%GF UL 94V-0

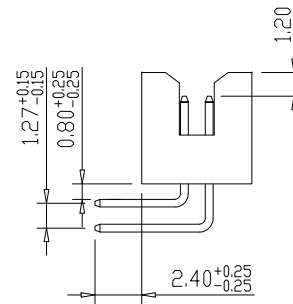
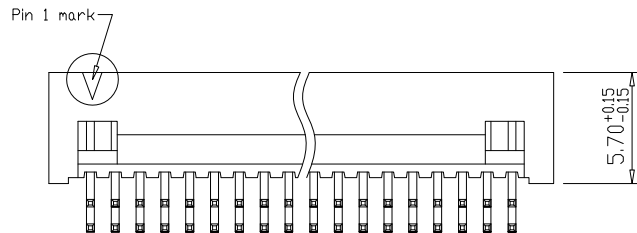
Ordering Code:

BHAM01- X - X - X - X - X
 ① ② ③ ④ ⑤ ⑥

- ① Series No:
 06 08 10 14 16
 20 24 26 30 32
 34 40 44 50 60
 64 80 100
- ② No.of Contacts
- ③ Contact Plating
 G0: Gold flash
 G1: 3u" Gold
 G2: 5u" Gold
 G3: 10u" Gold
 G4: 15u" Gold
 G5: 30u" Gold
- ④ Color Insulator
 B:Black
 U:Blue
 W:white
- ⑤ Insulator Material
 A:PA6T
 B: LCP
- ⑥ Packing
 A: Tray
 T: Tube
 U:Tube+CAP
 R: Tape&Reel
 W:Tape&Reel+CAP



Recommended P.C.B Layout(Top Side)
 (PCB BOARD TOLERANCE±0.05)



DSND	HUANG.J.M	DATE	2011-12-01	SCALE:		NAME:	1.27mm Box Header 90° H=5.70
CHKD				VIEW:		Part No:	BHAR01-xxxxxx
APVD				UNIT:	mm	Customer Part NO:(DWG NO.)	
Dongguan Fushu Electronic Technology Co.,Ltd Tel:0755-81765247/41 Fax:0769-81765203							

MARK	DESCRIPTION	DATE	REVISED	APPROVED	REVISIONS

unless otherwise specified tolerance:
 . X ± .38, ANG ± 2°
 . XX ± .25,
 . XXX ± .15,