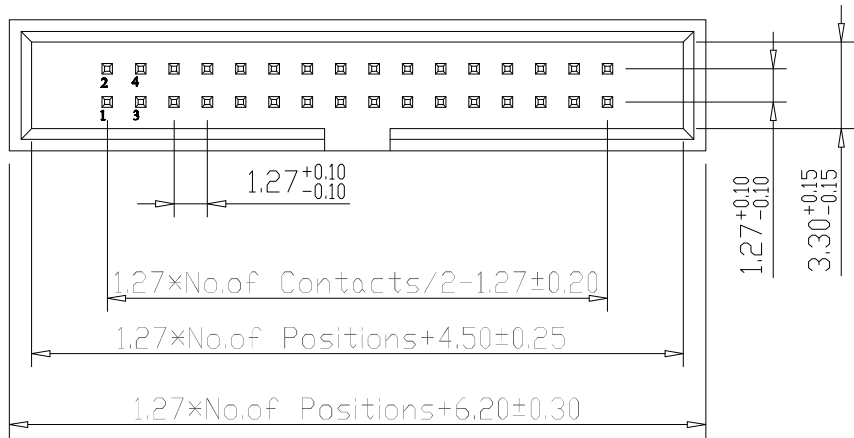


RoHS

1.27mm Box Header 180° H=4.90



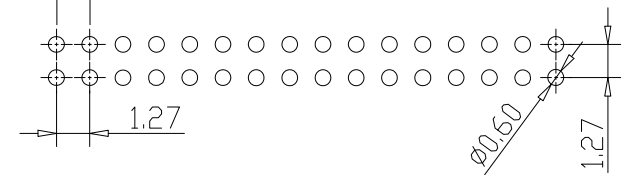
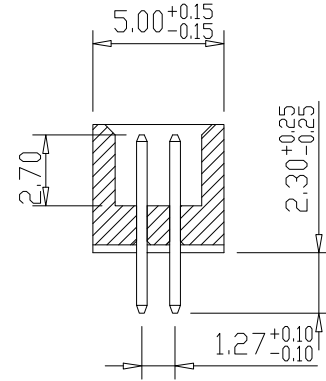
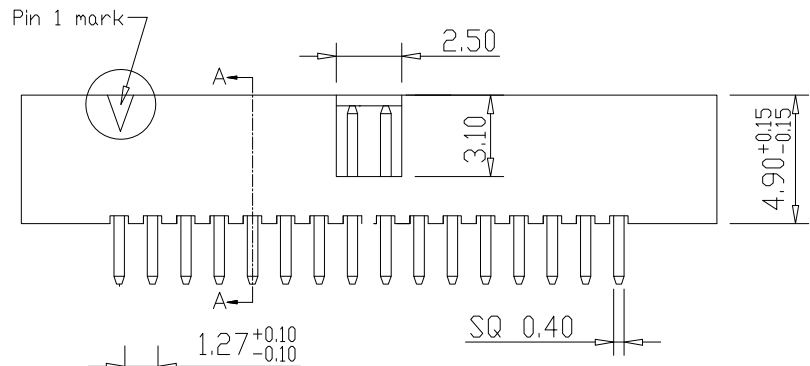
SPECIFICATION

Current Rating: 1Amp
 Insulation Resistance: 1000MΩ Min.
 Contact Resistance: 20mΩ Max.
 Withstand Voltage: 500V AC/DC
 Operating Temperature: -40°C to +105°C
 Contact Material: Brass
 Contact Plating: Au or Sn Over Ni
 Insulator Material: PA6T+30%GF UL 94V-0

Ordering Code:

BHAM01- X - X - X - X - X
 ① ② ③ ④ ⑤ ⑥

- ① Series No:
 06 08 10 14 16
 20 24 26 30 32
 34 40 44 50 60
 64 80 100
- ② No. of Contacts
 G0: Gold flash
 G1: 3u" Gold
 G2: 5u" Gold
 G3: 10u" Gold
 G4: 15u" Gold
 G5: 30u" Gold
- ③ Contact Plating
- ④ Color Insulator
 B: Black
 U: Blue
 W: White
- ⑤ Insulator Material
 A: PA6T
 B: LCP
- ⑥ Packing
 A: Tray
 T: Tube
 U: Tube+CAP
 R: Tape&Reel
 W: Tape&Reel+CAP



Recommended P.C.B Layout (Top Side)
 (PCB BOARD TOLERANCE ± 0.05)

MARK	DESCRIPTION	REVISIONS	DATE	REVISED	APPROVED

unless otherwise specified tolerance:
 . X \pm . 38,
 . XX \pm . 25,
 . XXX \pm . 15,
 ANG $\pm 2^\circ$

DSND	HUANG.J.M	DATE	2011-12-01	SCALE:	
CHKD				VIEW:	
APVD				UNIT:	mm
Dongguan Fushu Electronic Technology Co., Ltd Tel: 0755-81765247/41 Fax: 0769-81765203					

NAME:	1.27mm Box Header 180° H=4.90
Part No:	BHAS01-xxxxxx
Customer Part NO. (DWG NO.):	