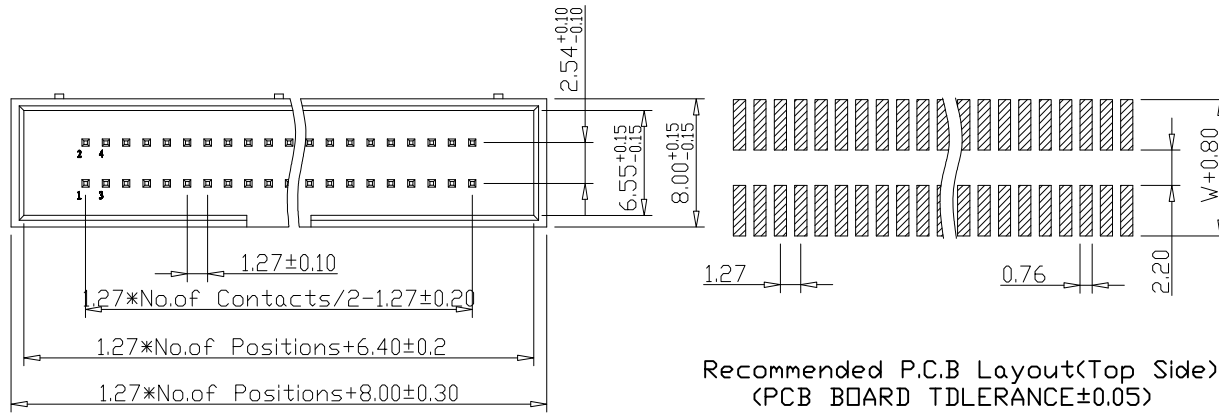


RoHS

1.27*2.54mm Box Header SMT H=5.90 Add Housing

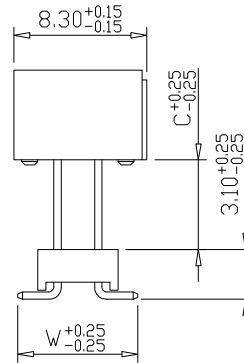
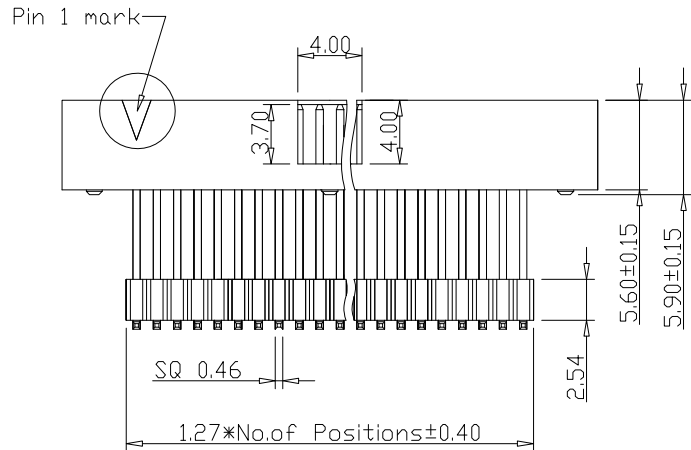


Recommended P.C.B Layout(Top Side)
(PCB BOARD TDLERANCE±0.05)

SPECIFICATION

Current Rating:	1.0Amp
Insulaon Resistance:	1000mΩ min
Contact Resistance:	20mΩ max
Withstand Voltage:	500V AC/DC
Operating Temperature:	-40°C to +105°C
Contact Material:	Brass
Contact Plating:	Au or Sn Over Ni
Insulator Material:	PA6T+30%GF UL 94V-0

Ordering Code:
BHBM02-X-X-X-X-X
① ② ③ ④ ⑤ ⑥



- ① Series No:
- ② No.of Contacts
06 08 10 14
16 20 26 30
34 40 50 60
80 100
- ③ Contact plating
G0:Gold flash
G1:3u"Gold
G2:5u"Gold
G3:10u"Gold
G4:15u"Gold
G5:30u"Gold
- ④ Color Insulator
B:Black
U:Blue
W:White
- ⑤ Insulator Material
A:PBT
B:PA6T
- ⑥ Packing
A:Tray
T:Tube
U:Tube+CAP
R:Tape&Reel
W:Tape&Reel+CAP

MARK	DESCRIPTION	DATE	REVISED	APPROVED
REVISIONS				

unless otherwise specified tolerance:
X±: 0.35
. X±: 0.25, ANG±2°
. XX±: 0.20,
. XXX±: 0.15,

DSND	HUANG.J.M	DATE	2017-12-05	SCALE:		NAME:	1.27*2.54mm Box Header SMT H=5.90 Add Housing
CHKD				VIEW:		Part No:	BHBM02-X-X-X-X-X
APVD				UNIT:	mm	Customer Part NO:(DWG NO.)	



Dongguan Fushu Electronic Technology Co.,Ltd
Tel:0755-81765247/41 Fax:0769-81765203