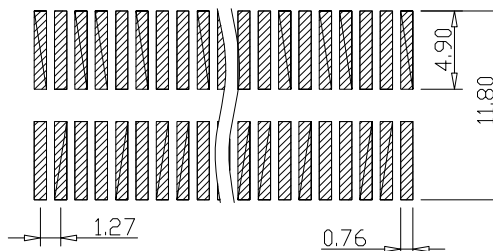
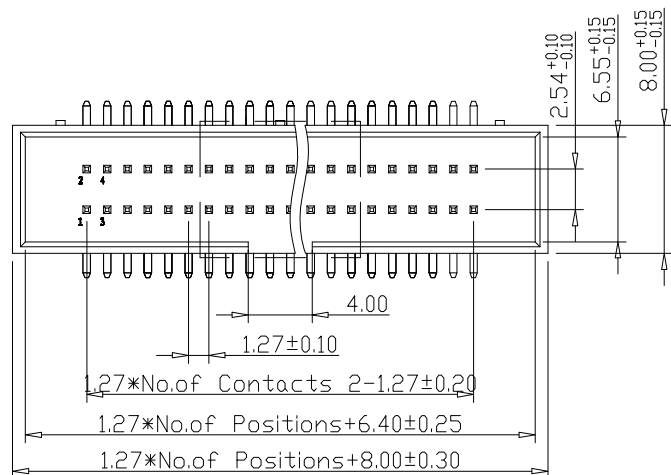


RoHS COMPLIANT

1.27*2.54mm Box Header SMT H=5.90

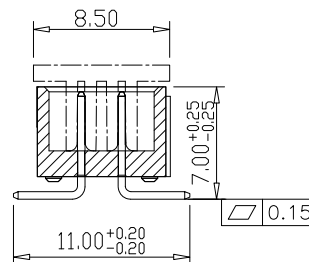
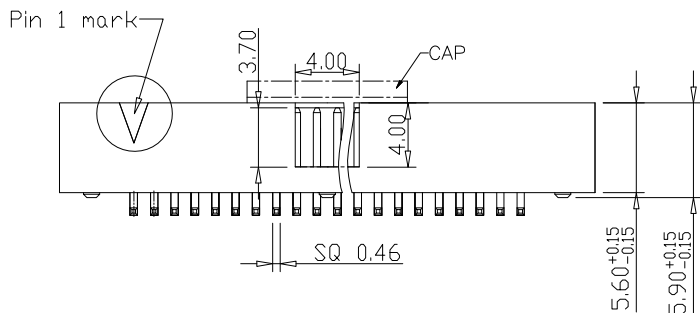
SPECIFICATION

Current Rating: 1.0Amp
 Insulation Resistance: 1000mΩ min
 Contact Resistance: 20mΩ max
 Withstand Voltage: 500V AC/DC
 Operating Temperature: -40°C to +105°C
 Contact Material: Brass
 Contact Plating: Au or Sn Over Ni
 Insulator Material: PA6T+30%GF UL 94V-0



Recommended P.C.B Layout (Top Side)
 (PCB BOARD TOLERANCE±0.05)

Ordering Code:
BHBM01-X-X-X-X-X
 ① ② ③ ④ ⑤ ⑥



- ① Series No:
- ② No.of Contacts
06 08 10 14
16 20 26 30
34 40 50 60
80 100
- ③ Contact plating
G0:Gold flash
G1:3u"Gold
G2:5u"Gold
G3:10u"Gold
G4:15u"Gold
G5:30u"Gold
- ④ Color Insulator
B:Black
U:Blue
W:White
- ⑤ Insulator Material
A:PBT
B:PA6T
- ⑥ Packing
A:Tray
T:Tube
U:Tube+CAP
R:Tape&Reel
W:Tape&Reel+CAP

DSND	HUANG.J.M	DATE	2017-12-05	SCALE:		NAME:	1.27*2.54mm Box Header SMT H=5.90
CHKD				VIEW:		Part No:	BHBM01-X-X-X-X-X
APVD				UNIT:	mm	Customer Part NO:(DWG NO.)	

unless otherwise specified tolerance:
 X±: 0.35
 . X±: 0.25,
 . XX±: 0.20,
 . XXX±: 0.15,

ANG±2°



Dongguan Fushu Electronic Technology Co.,Ltd

Tel:0755-81765247/41 Fax:0769-81765203

MARK	DESCRIPTION	DATE	REVISED	APPROVED
REVISIONS				