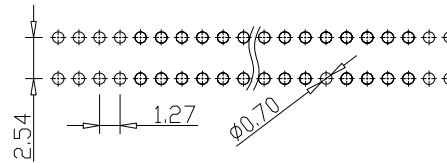
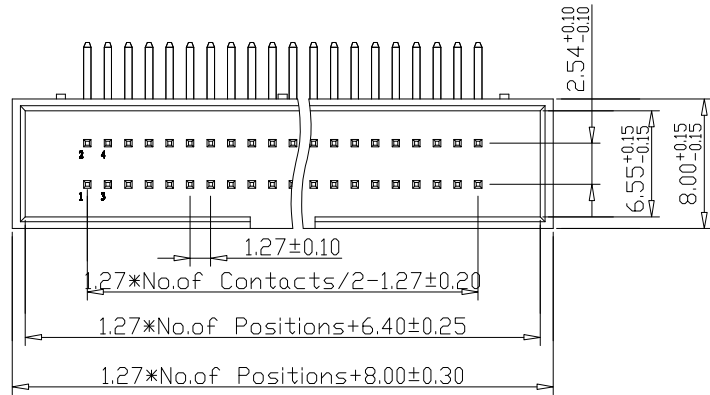


RoHS

1.27*2.54mm Box Header 90° H=5.90

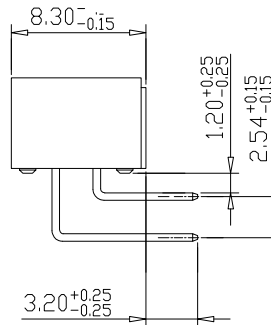
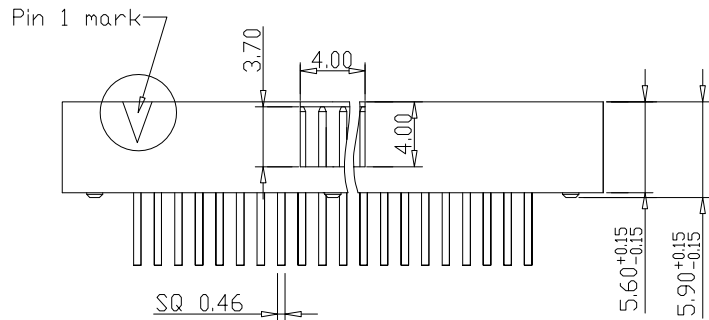
SPECIFICATION

Current Rating: 1.0Amp
 Insulation Resistance: 1000mΩ min
 Contact Resistance: 20mΩ max
 Withstand Voltage: 500V AC/DC
 Operating Temperature: -40°C to +105°C
 Contact Material: Brass
 Contact Plating: Au or Sn Over Ni
 Insulator Material: PA6T+30%GF UL 94V-0



Recommended P.C.B Layout (Top Side)
 (PCB BOARD TOLERANCE ± 0.05)

Ordering Code:
BHBR01-X-X-X-X-X
 ① ② ③ ④ ⑤ ⑥



- ① Series No:
- ② No. of Contacts
06 08 10 14
16 20 26 30
34 40 50 60
80 100
- ③ Contact plating
G0: Gold flash
G1: 3u" Gold
G2: 5u" Gold
G3: 10u" Gold
G4: 15u" Gold
G5: 30u" Gold
- ④ Color Insulator
B: Black
U: Blue
W: White
- ⑤ Insulator Material
A: PBT
B: PA6T
- ⑥ Packing
A: Tray
T: Tube

MARK	DESCRIPTION	DATE	REVISED	APPROVED
REVISIONS				

unless otherwise specified tolerance:
 X \pm : 0.35
 . X \pm : 0.25, ANG \pm 2°
 . XX \pm : 0.20,
 . XXX \pm : 0.15,

DSND	HUANG.J.M	DATE	2017-12-05	SCALE:		NAME:	1.27*2.54mm Box Header 90°H=5.90
CHKD				VIEW:		Part No:	BHBR01-XXXXXX
APVD				UNIT:	mm	Customer Part NO. (DWG NO.):	



Dongguan Fushu Electronic Technology Co., Ltd
 Tel: 0755-81765247/41 Fax: 0769-81765203