

RoHS

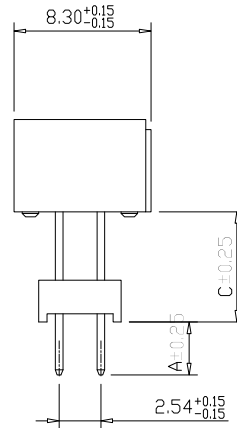
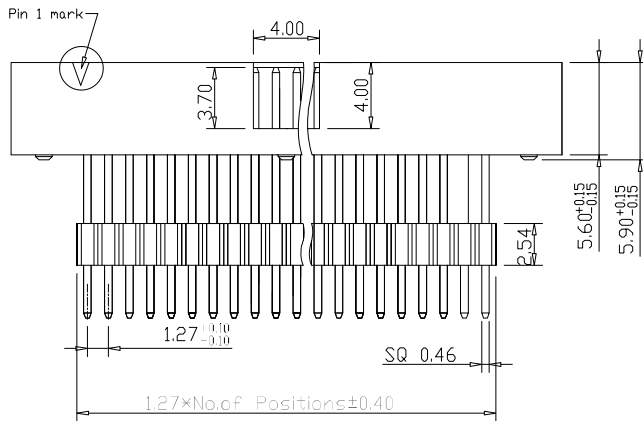
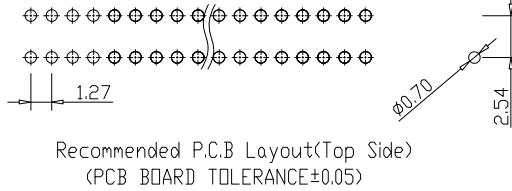
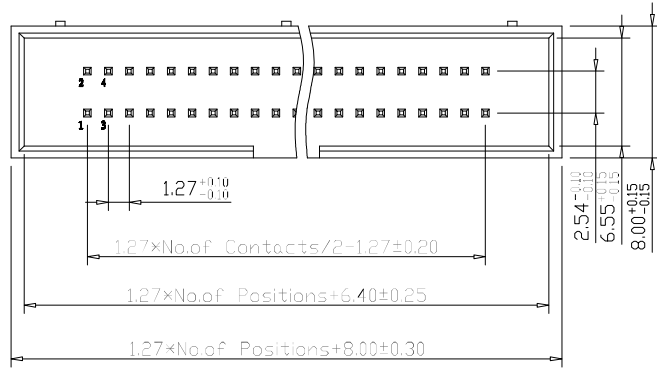
1.27*2.54mm Box Header 180° H=5.90 Add Housing

SPECIFICATION

Current Rating: 1.0Amp
 Insulation Resistance: 1000mΩ min
 Contact Resistance: 20mΩ max
 Withstand Voltage: 500V AC/DC
 Operating Temperature: -40°C to +105°C
 Contact Material: Brass
 Contact Plating: Au or Sn Over Ni
 Insulator Material: PA6T+30%GF UL 94V-0

Ordering Code:
BHBS03-X-X-X-X-X
 ① ② ③ ④ ⑤ ⑥

- ① Series No:
- ② No.of Contacts
06 08 10 14
16 20 26 30
34 40 50 60
80 100
- ③ Contact plating
G0:Gold flash
G1:3u"Gold
G2:5u"Gold
G3:10u"Gold
G4:15u"Gold
G5:30u"Gold
- ④ Color Insulator
B:Black
U:Blue
W:White
- ⑤ Insulator Material
A:PBT
B:PA6T
- ⑥ Packing
A:Tray
T:Tube



DSND	HUANG.J.M	DATE	2017-12-05	SCALE:		NAME:	1.27*2.54mm Box Header 180°H=5.90 Add Housing
CHKD				VIEW:		Part No:	BHAS03-XXXXXX
APVD				UNIT:	mm	Customer Part NO:(DWG NO.)	

unless otherwise specified tolerance:
 X±: 0.35
 . XX±: 0.20,
 . XXX±: 0.15,
 ANG±2°



Dongguan Fushu Electronic Technology Co.,Ltd
 Tel:0755-81765247/41 Fax:0769-81765203

MARK	DESCRIPTION	DATE	REVISED	APPROVED
REVISIONS				