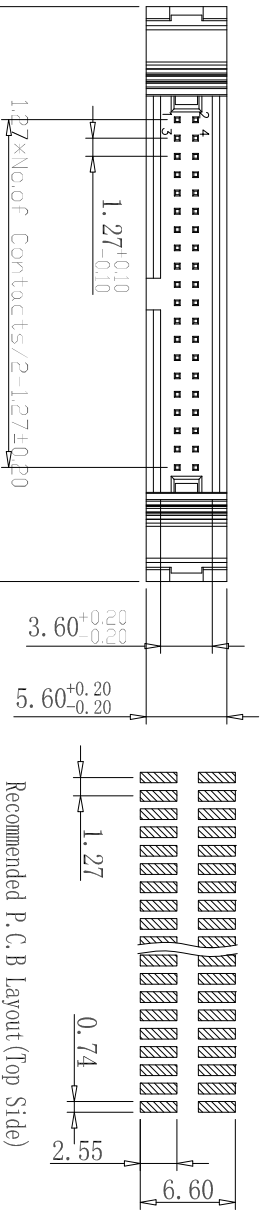


# 1.27mm Ejector Header SMT

## SPECIFICATION

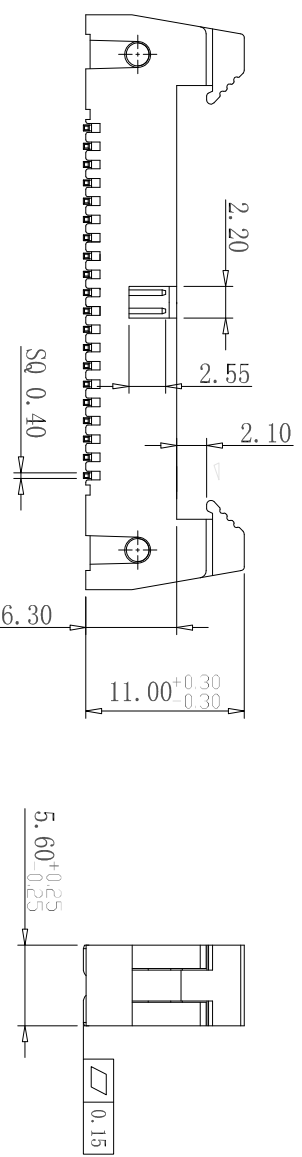
**Current Rating:** 1.0Amp  
**Insulation Resistance:** 500mΩ min  
**Contact Resistance:** 20mΩ max  
**Withstand Voltage:** 500V AC/DC  
**Operating Temperature:** -40°C to +105°C  
**Operating Material:** Brass  
**Contact Material:** Au or Sn Over Ni  
**Insulator Material:** PA6T+30%GF UL 94V-0



Recommended P.C.B Layout (Top Side)  
(PCB BOARD TOLERANCE ±0.05)

Ordering Code:  
LHAM01-X-X-X-X-X-X  
① ② ③ ④ ⑤ ⑥

- ① Series No:
- ② No.of Contacts  
10 14 16 20 24  
26 30 34 40 44  
50 60
- ③ Contact plating  
G0:Gold flash  
G1:3u"Gold  
G2:5u"Gold  
G3:10u"Gold  
G4:15u"Gold  
G5:30u"Gold
- ④ Color Insulator  
B:Black  
U:Blue  
G:Gray
- ⑤ Insulator Material  
B:PA6T  
C:ILCP
- ⑥ Packing  
A:Tray  
T:Tube  
U:Tube+CAP  
R:Tape&Reel  
W:Tape&Reel+cap



DSND	HU/ANGJLM	DATE	2017-12-07	SCALE		NAME	1.27mm Ejector Header SMT
CHKD		VIEW		UNIT	mm	Part No:	LHAM01-XXXXX
APVD						Customer Part No.(DWG NO.)	
unless otherwise specified tolerance: X±: 0.35 .X±: 0.25 .XX±: 0.20, .XXX±: 0.15,							
ANG±2°							
DESCRIPTION							
REVISIONS							
DATE REVISED APPROVED							
MARK							

**Dongguan Fushu Electronic Technology Co., Ltd**  
 Tel:0755-81765247/41 Fax:0769-81765203