

RoHS COMPLIANT

1.00mm Pin Header Dual Row SMT Type

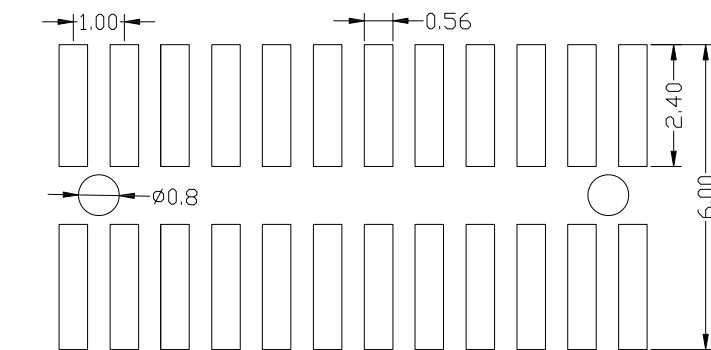
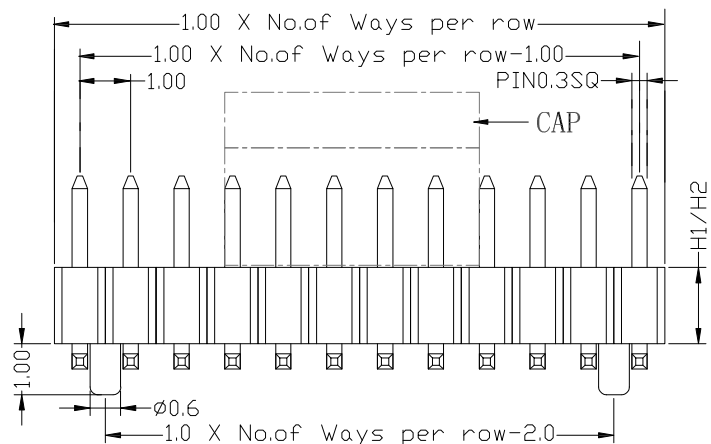
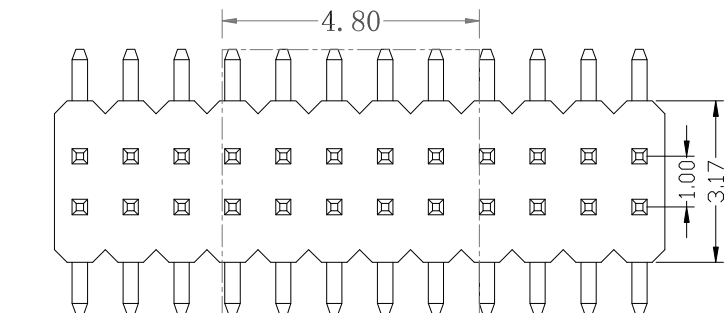
SPECIFICATION

Current Rating: 1Amp
 Insulation Resistance: 5000M ohms min
 Contact Resistance: 20M ohms max
 Dielectric Withstanding: AC500V
 Operating Temperature: -65°C to +125°C
 Contact Material: Brass
 Insulator Material: PBT,UL 94V-0 Black

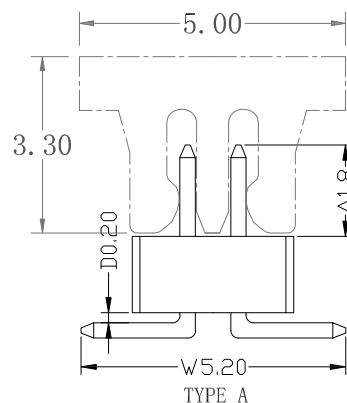
Ordering Code:

PHBM02 - X - X - D X - X - X - X - X
 ① ② ③ ④ ⑤ ⑥ ⑦ ⑧ ⑨

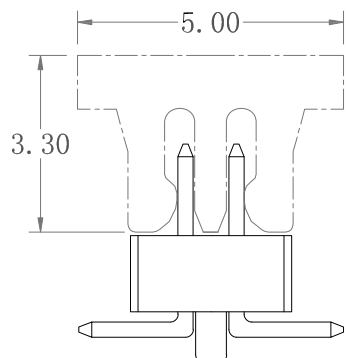
- ① Series No:
- ② No. of Contacts
02 To 100
- ③ Contact Plating
G0: Gold flash
G1: 3u" Gold
G2: 5u" Gold
G3: 10u" Gold
G4: 15u" Gold
G5: 30u" Gold
SN: Tin
- ④ Connector Type
D: Dual
- ⑤ Pin Length:
A+C+D+(W-1.27)/2
Please mark the desired length in the A/D/W
- ⑥ Insulator Material
B: PA6T
C: LCP
D: PA46
- ⑦ Packing
A: Tray
B: Bag
T: Tube
U: Tube+CAP
R: Tape&Reel
W: Tape&Reel+CAP
- ⑧ Plastic High
A: 1.0mm
B: 1.5mm
- ⑨ Plastic Function
A: Type A
B: Type B



PCB LAYOUT



TYPE A



TYPE B

A	W	D
1.80	5.20	0.20

Optional

MARK	DESCRIPTION	DATE	REVISED	APPROVED
REVISIONS				

unless otherwise specified tolerance:
 X±: 0.35
 .X±: 0.25,
 .XX±: 0.20,
 .XXX±: 0.15,
 ANG±2°

DSND	HUANGJM	DATE	2017-12-08	SCALE:	
CHKD				VIEW:	
APVD				UNIT:	mm

FSCONN
 Dongguan Fushu Electronic Technology Co.,Ltd
 Tel:0755-81765247/41 Fax:0769-81765203

NAME: 1.00mm Pin Header
Dual Row SMT Type

Part No: PHBM02-X-X-D-X-X-X-X-X

Customer Part NO:(DWG NO.)