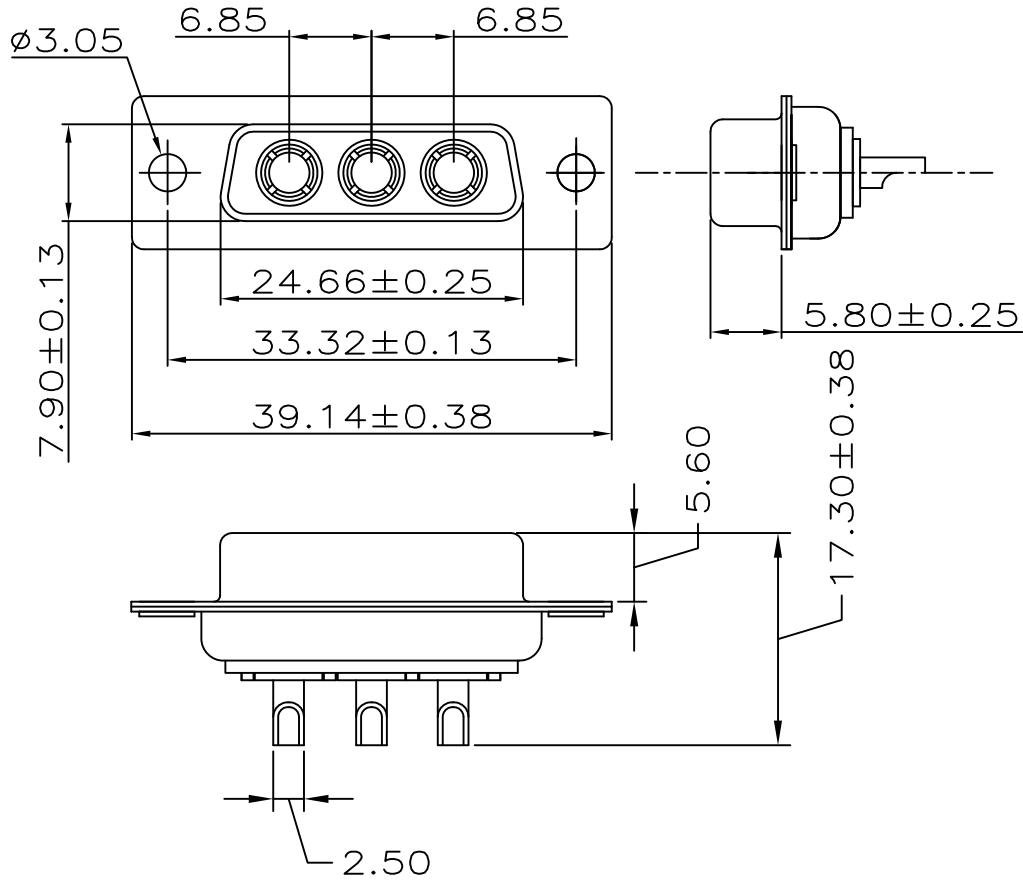


ROHS



**MATERIALS AND FINISH**

SHELL: STEEL OR COPPER ALLOY MATERIAL, Tin/Ni OR Au FINISHED.  
 CONNECTOR INSULATOR: PBT THERMOPLASTIC, 30% GLASS FILLED,  
 UL 94V-0 RATED.

HIGHT POWER CONTACT: COPPER ALLOY MATERIAL, 25-30U" GOLD PLATED.

**ELECTRICAL CHARACTERISTICS**

HIGH POWER CONTACT CURRENT RATING: 10, 20, 30 OR 40 AMPS.

THE WORKING VOLTAGE: 300V

HIGH POWER CONTECT RESISTANCE: 2.7 MILLIOHMS MAX.

DIELECTRIC WITHSTANDING VOLTACE: 1000V AC FOR 1 MINUTE

INSULATION RESISTANCE: 2000 MEGAOHMS MIN.

TEMPERATURE RATING : -55° TO +105°C

MARK	DESCRIPTION	DATE	REVISED	APPROVED
REVISIONS				

未注公差:

. X ± .38,  
 . XX ± .25,  
 . XXX ± .15,

ANG ± 2°

DSND	HUANGSDL	DATE	2016. 11. 30	SCALE:	1:1	NAME:	High power 3/3 female solder type black
CHKD		DATE		VIEW:		Part No:	
APVD		DATE		UNIT:	mm	Customer Part NO:(DWG NO.)	
Dongguan Fushu Electronic Technology Co.,Ltd Tel:0755-81765247/41 Fax:0769-81765203							