

PCB layout

NO.	PART NAME	TER'NO.	QTY.	MATERIAL	REMARK
⑦	CAP		1	LCP	BLACK
⑥	SCREW		2	STEEL	NI-PLATED
⑤	BOARD LOCK		2	SPCC	Sn-PLATED
④	SHELL		1	SPCC	NI-PLATED
③	CANTACT		15	COPPER ALLOY	Au/Sn-PLATED
②	COVER		1	LCP	BLUE
①	HOUSING 1		1	LCP	BLUE

备注:

1. 特性:

- 额定电压 : 250V
- 额定电流 : 5AMP
- 接触阻抗 : 30mΩ MAX.
- 绝缘阻抗 : 1000MΩ MIN. at 500V DC
- 耐电压值 : 500V AC RMS for 1Minute
- 温度范围 : -20° ~85°

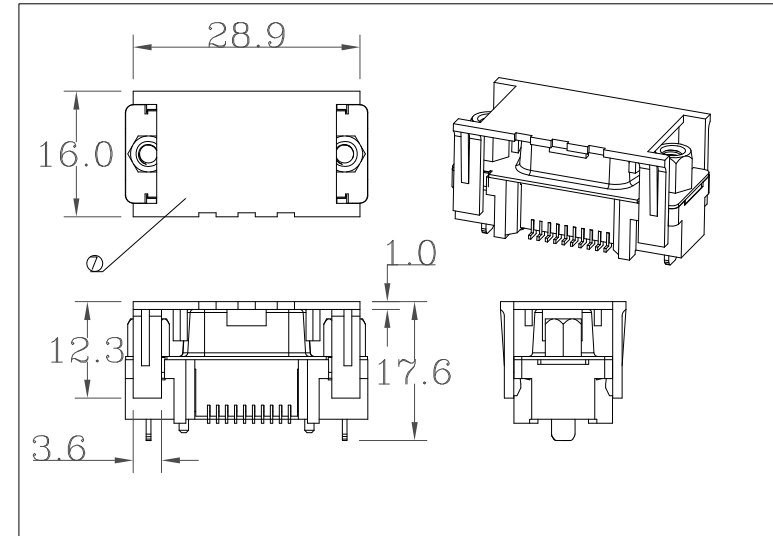
金属材料: 表面镀锡

螺丝: M1.4 表面镀镍

塑胶: LCP 蓝

端子: 青铜, 表面镀半金锡

外壳: SPCC, 表面镀镍



MARK	DESCRIPTION	DATE	REVISED	APPROVED

未注公差:

- .X±.30,
- .XX±.25,
- .XXX±.15,

ANG±2°

REVISIONS

DSND	T.X.K	DATE	2011-12-01	SCALE:	1:1
CHKD	D.Y.Q	DATE	2011-12-01	VIEW:	
APVD	S.K.Bai	DATE	2011-12-01	UNIT:	mm

NAME: HD 15F半金塑高8.5mm SMT铆锁螺丝

Part No:

Customer Part NO:(DWG NO.)



Dongguan Fushu Electronic Technology Co.,Ltd
Tel:0755-81765247/41 Fax:0769-81765203