

RoHS Compliant

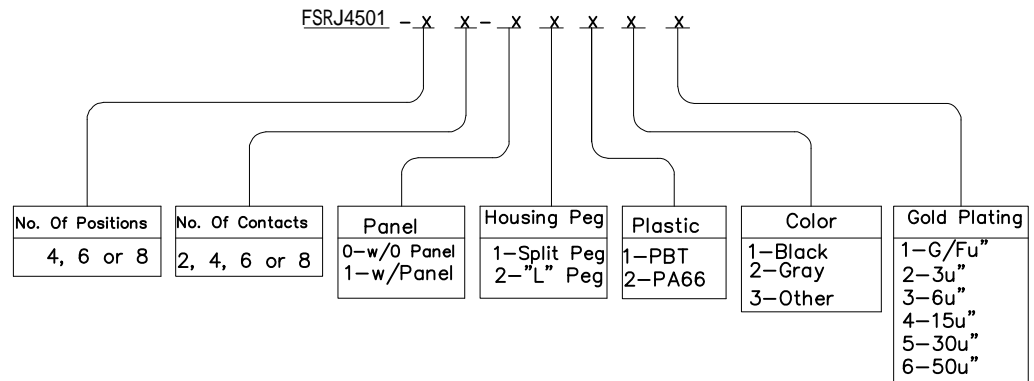
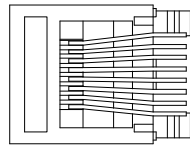
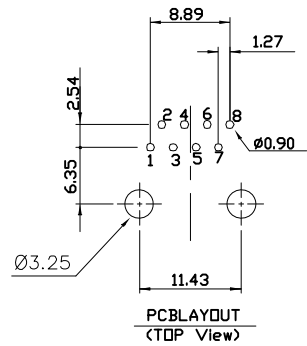
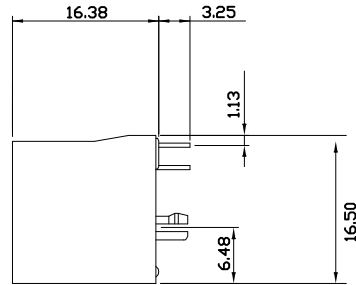
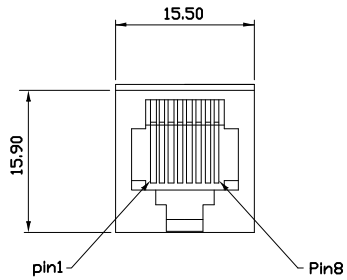
NOTES:

MATERIAL:

- 1. HOUSING MATERIAL : PBT,PA66(UL 94V-0)
- 2. CONTACT MATERIAL : ROUND PINS-0.46mm DIAMETER  
PHOSPHOR BRONZE;  
GOLD PLATING OVER NICKEL

ELECTRICAL/PHYSICAL:

- 1. VOLTAGE RATING : 125 VAC RMS
- 2. CURRENT RATING : 1.5 AMP
- 3. CONTACT RESISTANCE : 30 MILLIOHMS MAX2
- 4. INSULATION RESISTANCE : 500 MEGOHMS MIN @500V DC
- 5. DIELECTRIC WITHSTANDING RISTANCE : 1000V AC RMS 60Hz. 1MIN
- 6. DURABILITY : 750 CYCLES MIN
- 7. TEMPERATURE : -40 °C/+85°C



| MARK      | DESCRIPTION | DATE | REVISED | APPROVED |
|-----------|-------------|------|---------|----------|
| REVISIONS |             |      |         |          |

unless otherwise specified tolerance:  
**MM**  
 .00±0.25  
 .000±0.13  
 .0000±0.05

|      |         |      |           |        |    |
|------|---------|------|-----------|--------|----|
| DSND | HUANGJM | DATE | 2018-1-18 | SCALE: |    |
| CHKD |         |      |           | VIEW:  |    |
| APVD |         |      |           | UNIT:  | mm |

**Dongguan Fushu Electronic Technology Co.,Ltd**  
 Tel:0755-81765247/41 Fax:0769-81765203

NAME: **RJ45 TOP ENTRY PCB JACK**  
 Part No: **FSRJ4501-XXXXXX**  
 Customer Part NO:(DWG NO.)