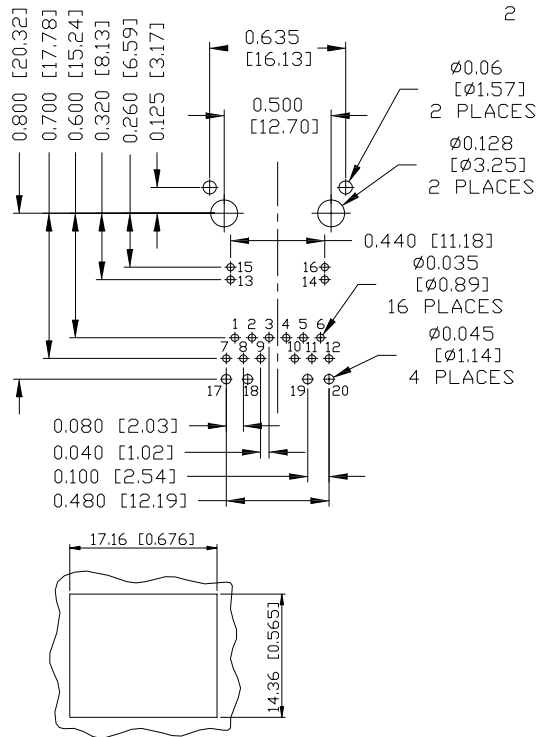
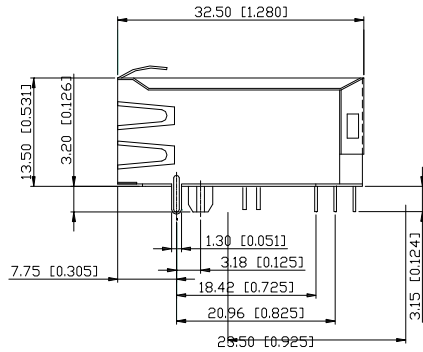
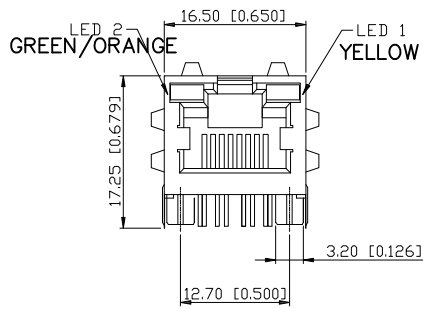


RoHS Compliant

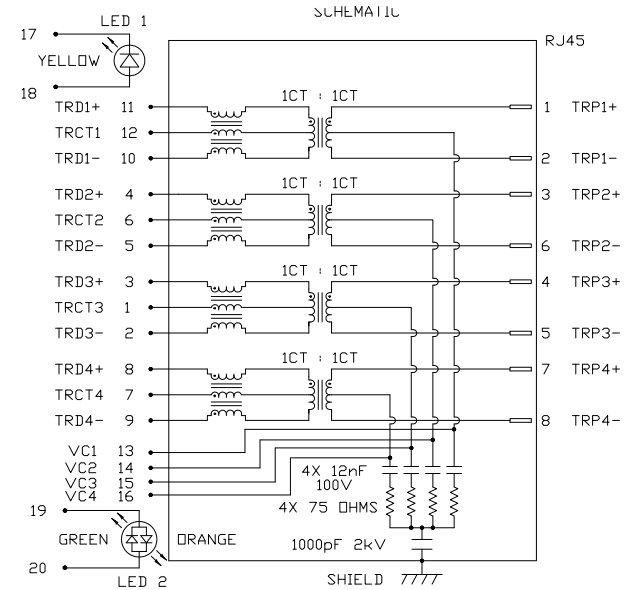


RECOMMENDED
PANEL CUTOUT DIMENSION

- Turn Ratio($\pm 2\%$):
TX=1CT:1CT RX=1CT:1CT
- Inductance OCL:
350uH MIN @100KHz/0.1V, 8mA DC Bias
- Insertion Loss:
-1.0dB MAX @ 1-100MHZ
- Return Loss:
-20dB MIN @ 1-10MHz
-16dB MIN @ 10-30MHz
-12dB MIN @ 30-60MHz
-10dB MIN @ 60-100MHz
- Cross talk:
-40dB MIN @ 1-30MHz
-35dB MIN @ 30-60MHz
-30dB MIN @ 60-100MHz
- Common Mode Rejection:
-30dB MIN @ 1-50MHz
-20dB MIN @ 50-150MHz
- HIPOT TEST:1500Vrms MIN
- OPERATING TEMPERATURE RANGE:0°C TO 70°C

Contacts: 0.35mm thick phos bronze plated with 6u' gold in contact area

Operating temperature range:0°C to +70°C Housing Material: PBT Black



DSND	HUANGJM	DATE	2018-1-18	SCALE:	NAME:
CHKD				VIEW:	RJ45 JACK 1X1 LED WITH TRANSFORMER
APVD				UNIT:	mm
Dongguan Fushu Electronic Technology Co.,Ltd Tel:0755-81765247/41 Fax:0769-81765203					Part No: FSRJ4504-59T
					Customer Part NO:(DWG NO.)

MARK	DESCRIPTION	DATE	REVISED	APPROVED
REVISIONS				

unless otherwise specified tolerance:
MM
.00±0.25
.000±0.13
.0000±0.05