

RoHS Compliant

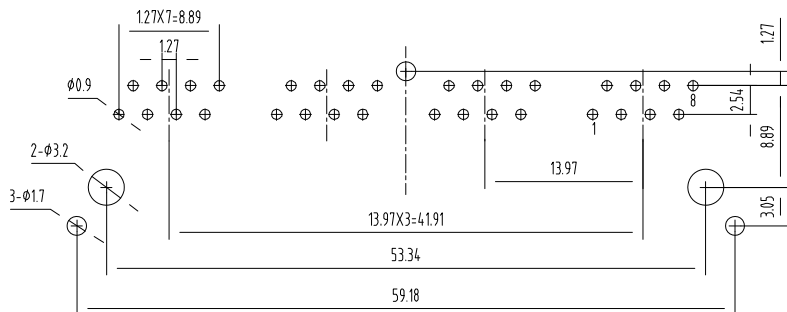
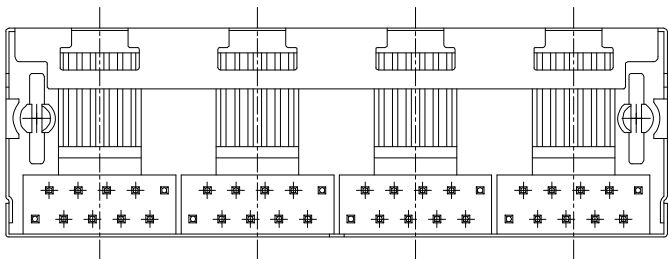
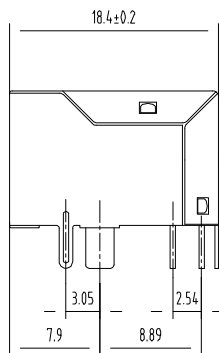
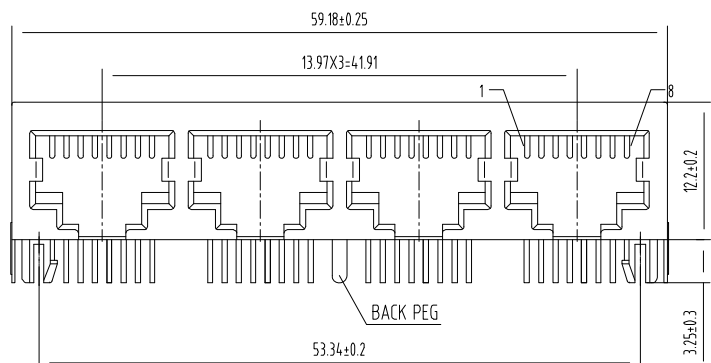
NOTES:

MATERIAL:

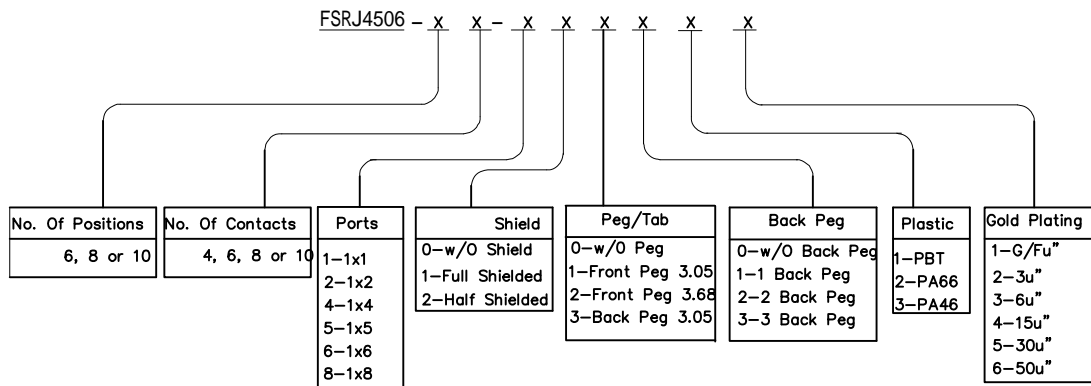
- 1. HOUSING MATERIAL : PBT, PA66, PA46 (UL 94V-0)
- 2. CONTACT MATERIAL : ROUND PINS-0.46mm DIAMETER PHOSPHOR BRONZE; GOLD PLATING OVER NICKEL
- 3. SHIELD : 0.20mm THICKNESS COPPER ALLOY WITH NICKEL PLATED

ELECTRICAL/PHYSICAL:

- 1. VOLTAGE RATING : 125 VAC RMS
- 2. CURRENT RATING : 1.5 AMP
- 3. CONTACT RESISTANCE : 30 MILLIOHMS MAX2
- 4. INSULATION RESISTANCE : 500 MEGOHMS MIN @500V DC
- 5. DIELECTRIC WITHSTANDING RESISTANCE : 1000V AC RMS 60Hz. 1MIN
- 6. DURABILITY : 750 CYCLES MIN
- 7. TEMPERATURE : -40° C/+85° C



PC Board Layout
Component Side Shown



MARK	DESCRIPTION	DATE	REVISED	APPROVED
REVISIONS				

unless otherwise specified tolerance:
MM
 .00±0.25
 .000±0.13
 .0000±0.05

DSND	HUANGJM	DATE	2018-1-18	SCALE:	
CHKD				VIEW:	
APVD				UNIT:	mm

Dongguan Fushu Electronic Technology Co.,Ltd
 Tel:0755-81765247/41 Fax:0769-81765203

NAME:	RJ45 SIDE ENTRY PCB JACK
Part No:	FSRJ4506-XXXXXX
Customer Part NO:(DWG NO.)	