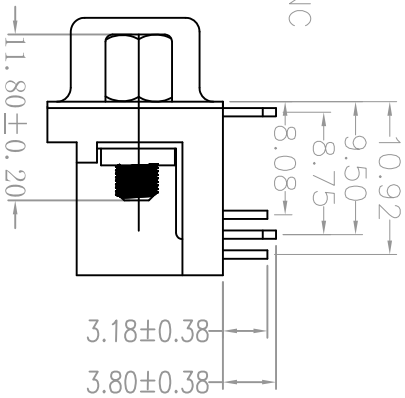
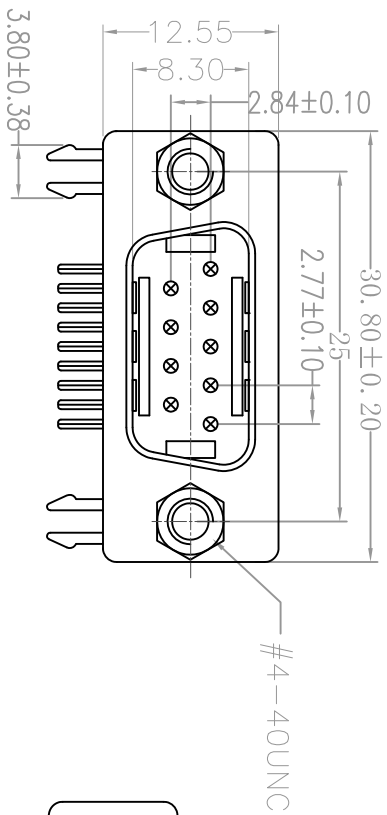
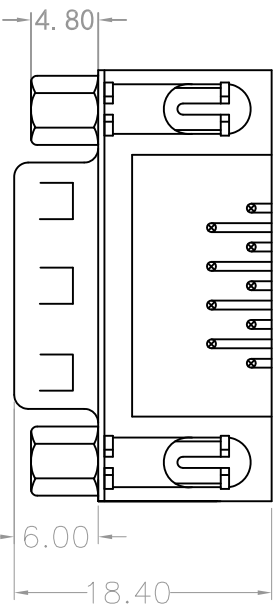
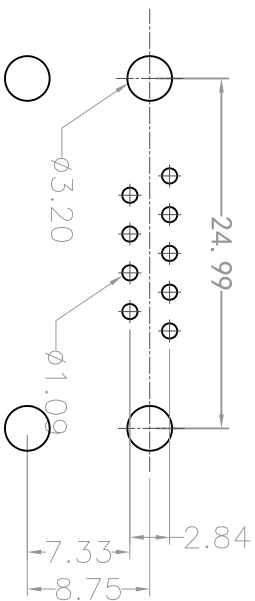


ROHS



- MATERIAL:
1. Insulator: PBT+30%Glass Fiber (UL94V-0)
 2. Contact: Brass
 3. Contact Plated: Gold Flash over Tin Or Glod Plated Or Tin Plated
 4. Shell: Steel, Nickel Plated

- SPECIFICATION:
1. Current Rating: 5 AMPS
 2. Insulation Resistance: 5000M Ω , MIN. At 500VDC
 3. Dielectric Strength: 500V for One minute
 4. Operation Temperature: -55 $^{\circ}$ C~+105 $^{\circ}$ C.



P.C.B. PLYOUT

MARK	DESCRIPTION	REVISIONS	DATE	REVISED	APPROVED

未注公差:
 .X±.38
 .XX±.25
 .XXX±.15
 ANG±2°

DNSD	HUANGSDL	DATE	20170418	SCALE	1:1	NAME	DR0公四脚叉脚4.8*1.8螺丝黑
CHD		DATE		VIEW		Part No	
APVD		DATE		UNIT	mm	Customer Part NO(DWG NO)	
东莞市福蜀电子科技有限公司							