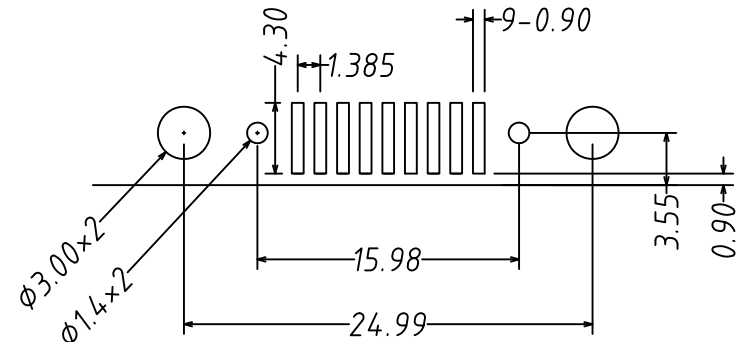
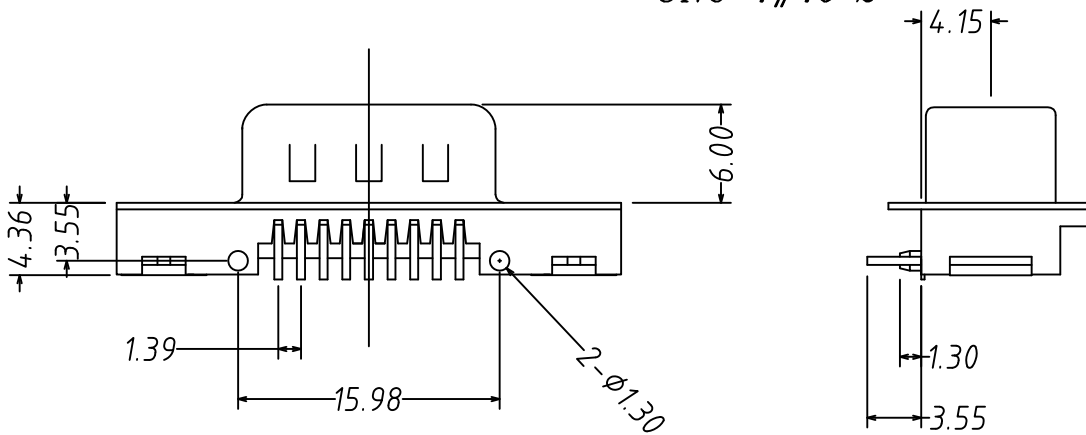
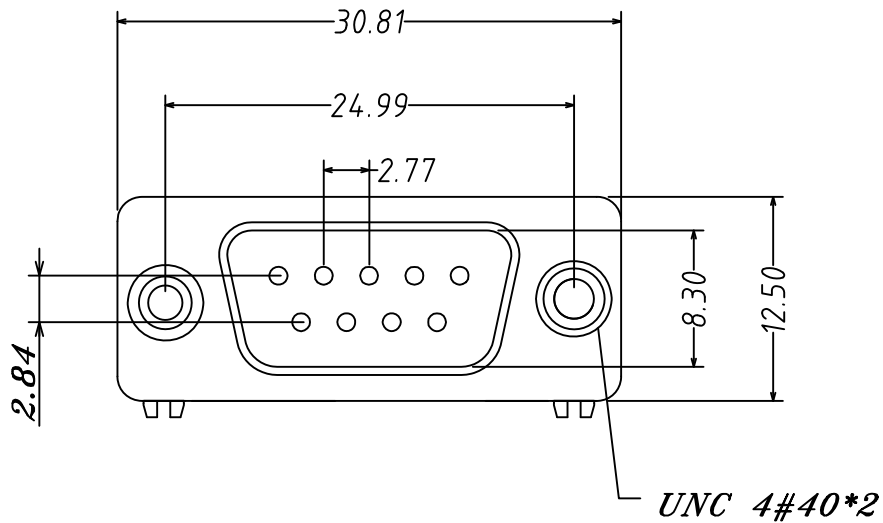


ROHS



RECOMMENDED P.C.B LAYOUT(PCB THICKNESS:1.60mm)
COMPONENT SIDE VIEW(TOLERANCE:±0.05)

1.MATERIAL&PLATING:

- 1.1 INSULATOR AND COVER : LCP, UL94V-0
INSULATOR AND COVER COLOR: BLACK
- 1.2 CONTACT: COPPER ALLOY, T=0.25mm,
GOLD FLASH PLATED IN CONTACT AREA,
100u" MIN MATIE TIN PLATED IN SOLDER AREA,
30u" MIN ,NICKEL UNDERPLATED OVERALL.
- 1.3 SHELL: SPCC, T=0.35mm,30u" MIN, NICKEL PLATED OVERALL
- 1.4 BOARD LOCK: SPCC ,T=0.5mm, 100u" MIN TIN PLATED OVER,
30u" MIN. NICKEL UNDERPLATED OVERALL
- 1.5 RIVET: COPPER ALLOY, 30u" MIN. NICKEL PLATED OVERALL.

2.SPECIFICATION:

- 2.1 CURRENT RATING :5.0A
- 2.2 CONTACT RESISTANCE:30mΩ MAX.
- 2.3 INSULATION RESISTANCE:1000MΩ MIN.
- 2.4 DIELECTRIC WITHSTANDING VOLTAGE: 500V AC PER MINUTE.

3. NOETS:

- 3.1 ALL COMPONENTS ARE RoHS COMPLIANT.
- 3.2 RESISTANCE TO SOLDERING HEAT: 265°C FOR 10 SECONDS.

| MARK | DESCRIPTION | DATE | REVISED | APPROVED |
|-----------|-------------|------|---------|----------|
| REVISIONS | | | | |

未标注公差
± 2°
0.0 ±0.38
0.00 ±0.25
0.000±0.15

| | | | | | |
|--|----------|------|------------|----------|---|
| DSND | HUANGSDL | DATE | 2018.01.25 | SCALE: | NAME: |
| CHKD | | DATE | | VIEW: | D-sub 9M R/A AMT沉板式 |
| APVD | | DATE | | UNIT: mm | Part No: |
| Dongguan Fushu Electronic Technology Co.,Ltd Tel:0755-81765247/41 Fax:0769-81765203 | | | | | Customer Part NO:(DWG NO.) ZDMH09ME1BGN30 |